

AXIAL-FLOW 250 SERIES COMBINE – CHROME EDITION FOR RICE

# AXIAL-FLOW<sup>®</sup>

250 SERIES COMBINE  
CHROME EDITION FOR RICE

CHROME EDITION

9200

AES

**CASE II**  
AGRICULTURE

**CASE II**  
AGRICULTURE



## CORE PRINCIPLES OF AXIAL-FLOW COMBINES:

### SIMPLICITY.

Axial-Flow combines are designed with **fewer moving parts** for unmatched reliability and easier serviceability.

### CROP ADAPTABILITY.

Designed **to harvest over 134 types of grains in many conditions**, the Axial-Flow combine is versatile enough to match your diverse harvesting needs.

### MATCHED CAPACITY.

Controlling crop flow is the key to harvesting success. The Axial-Flow feeder, rotor, grain handling, residue management and power systems are designed to **optimize crop flow and maximize productivity**.

### GRAIN QUALITY.

Gentle grain-on-grain threshing is the hallmark of the Axial-Flow design. From feeding to cleaning, the entire system is **designed to minimize grain damage**.

### GRAIN SAVINGS.

Axial-Flow combines pave the way for savings. Thorough threshing and efficient separation **put more grain in the tank** and more profits in your pocket.

### RESALE VALUE.

Case IH combines reward their owners with impressive resale value. A wide variety of kits are also available to enhance performance, upgrade technology, boost productivity and **maximize your investment**.







# AXIAL-FLOW 250 SERIES COMBINE

Chrome Edition for Rice | Class VIII and IX

HARVEST MORE OF WHAT YOU GROW.



Case IH offers one of the industry's largest lineup of combines to meet the needs of any operation. From header to spreader, producers with large acreages and crops of all types will appreciate the crop adaptability, grain quality and grain savings of the Class VIII and IX 250 series Axial-Flow combines.

250 Series Features.....	4-5
Operator Environment.....	6-7
Chrome Edition Features.....	8-9
Advanced Farming Systems (AFS).....	10-11
Product Specifications.....	12

# THE NEXT EVOLUTION OF HARVESTING IS HERE.

The 250 series delivers superior performance and capacity. Spend less time under the unloading auger with high unload rates. Increase yield with superior grain sample quality and savings. Plus, with a large, quiet cab, you get maximum comfort and productivity engineered with agronomic and intuitive design.

## REDESIGNED FEEDER HOUSE.

High-capacity features and heavy-duty feeding systems help ensure a smooth harvest. Axial-Flow 250 series combines include optional advancements to the feeder house, such as a heavy-duty feeder lift capacity to handle the heaviest of stripper heads, and fore/aft feeder faceplate tilt. A high-capacity feeder drive handles large stripper headers in high yielding rice. Additional improvements include header height control software and improved feeder top-shaft reliability. These improvements result in even crop flow and greater durability.

### Features include:

- **Optional feeder faceplate fore/aft control** allows you to make adjustments from the cab.
- **Redesigned feeder top shaft drive coupler** features a crowned spline design for greatly improved durability and reliability.
- A simple **two-piece feeder floor design** reduces wear and increases durability and improves crop feeding.

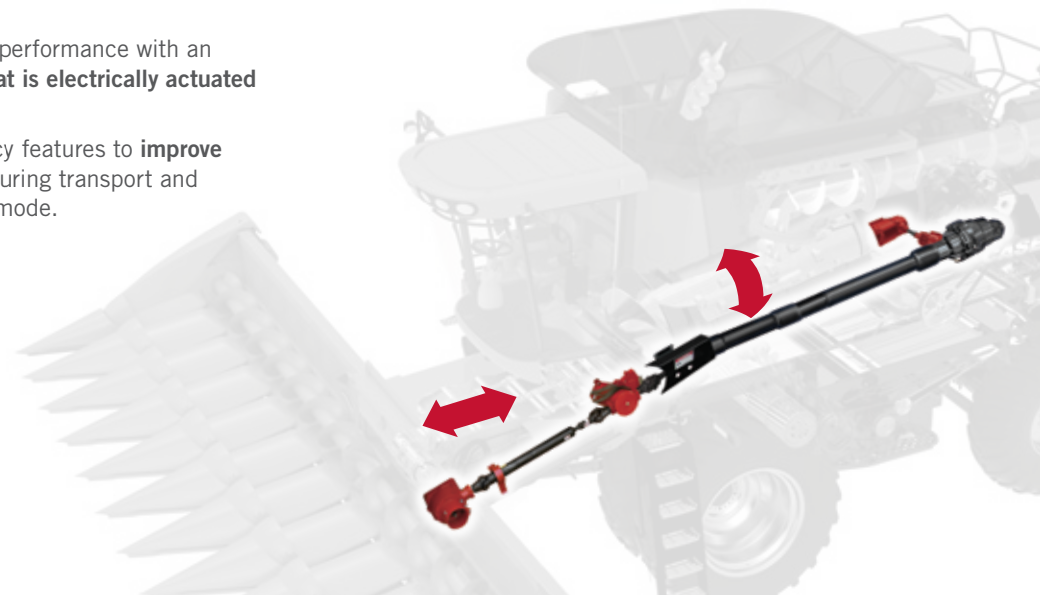


## 2-SPEED ELECTRIC SHIFT GROUND DRIVE.

- **Simplifies operation** so you can use first gear for harvest and second gear for roading.
- Delivers **wider speed ranges** for more power for climbing hills and check levies providing propulsion through challenging ground conditions.
- **Reduces the need to stop and shift** in field or on the road.
- Uses a high/low propulsion system to toggle between low and high ranges on the fly to **provide additional operator control when extra traction or change in speed is required.**
- Uses closed-loop sensing for **constant speed control** (like cruise control in a car).
- Provides **greater torque through a wider speed range** without shifting due to increased displacement of pumps and motors for challenging and wet field conditions.
- Improves traction and field performance with an **optional differential lock that is electrically actuated and hydraulically engaged.**
- Provides enhanced efficiency features to **improve fuel savings** in road mode during transport and auto-idle RPM in economy mode.

## EXCLUSIVE POWER PLUS™ CVT COMBINE DRIVES.

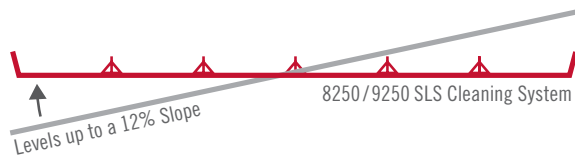
- The innovative Power Plus continuously variable transmission (CVT) combine drive features a belt-free, low-maintenance design with variable speed drives.
- An **exclusive in-cab rotor de-slug** accommodates high-volume, tough-threshing crops.
- Designed to meet the high-horsepower demands of our 8250 and 9250 series combines.
- Delivers the convenience of hydraulic variable control and the efficient power transfer of a mechanical system.





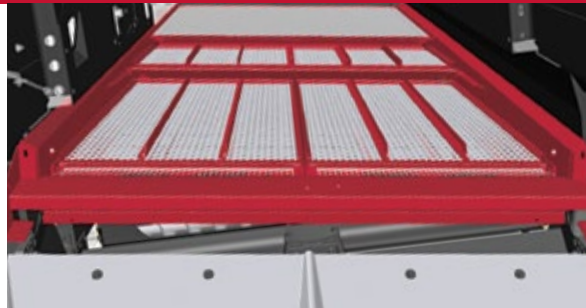
### SELF-LEVELING CLEANING SYSTEM.

The self-leveling cleaning system (SLS), standard on Axial-Flow 250 series combines, saves grain and increases productivity on flat ground as well as on hills. The entire system (grain pan, top sieve, bottom sieve and fan) **levels itself for optimal cleaning efficiency** on flat fields or hills and banks on end row turns, minimizing potential grain loss.



### PIVOTING SPOUT AND FOLDING AUGER.

**Two folding auger options** on the 250 series provide easier transport and storage with an added benefit of a smaller footprint when opening up the field. Pivoting spout available on all models adjusts the flow of grain up to 3 feet without changing the position of the grain cart or combine.



### AVAILABLE TRACK VERSIONS.

To help widen your harvest window, the front axle of the 250 series combines can be equipped with the rugged, triangular Quadtrac® track system for **greater flotation and less soil compaction**. The Quadtrac design uses two 30- or 36-inch-wide rubber tracks to reduce ground pressure by 50% to 60%. This results in minimal soil disturbance, a smooth and comfortable ride and less stress on your fields.

**Axial-Flow combines now have the option for factory-installed PowerFlex Trax™ with TerraForm™ suspension.** The PowerFlex Trax system is fully suspended and delivers enhanced operator comfort as they float over fields on long harvest days. The tracks provide high flotation in wet fields, help reduce compaction with a larger footprint and require minimal maintenance. And, they have a maximum transport speed of 25 mph. Ask your Case IH dealer about our track options and which solution is best for your operation.

### LED LIGHTING PACKAGE.

Don't let darkness disrupt your harvest. The Axial-Flow 250 series combines offers new LED lighting packages with row finders that **illuminate the ground up to 250 feet** for increased visibility, productivity and safety.

# THE TRUE MOBILE OFFICE. AXIAL-FLOW COMBINE CABS.

Thanks to your input, Case IH has taken one of the largest, most comfortable combine cabs in the industry and made it even better, providing the ultimate in convenience, comfort and productivity for your office in the field.



## COMFORT, CONTROL AND CONNECTABILITY.

- Slide rail console.
- Standard AFS Pro 700 display.
- Cellphone cradle with USB power port — easy reach and readability.
- Separate power outlet.
- Optional cloth or highback leather seat.
- Optional Bluetooth® radio.
- Cellular modem and five-year subscription included for AFS Connect™ telematics and wireless data transfer on new Axial-Flow combines.

## REFINED MULTIFUNCTION HANDLE.

- Moves with seat for smooth operator control.
- Similar function grouping at your fingertips.
- Multiple settings easily saved for future use.
- Optional cross auger control.
- Optional pivoting spout.
- Optional feeder faceplate fore/aft adjustment.

## INSTRUCTIONAL SEAT WITH PORTABLE FRIDGE.

- Instructional seat backrest flips down to create a work surface.
- Double duty — side seat serves as work surface or lunch cooler.
- Portable fridge included in luxury cab package.
- Portable fridge can be removed to take home to clean and repack for the next day.
- Fridge comes with two power cords — one for the vehicle and one for the combine.





# 250 SERIES AXIAL-FLOW COMBINE CHROME EDITION.

The 250 series Axial-Flow Chrome Edition rice combine is an ideal solution for rice growers. Engineered and designed to withstand the toughest harvesting conditions and abrasive crops, this model is equipped with even more durable and longer-lasting parts. Our team worked extensively with customers and dealers in Texas, south Louisiana, the bootheel of Missouri and Mississippi to develop and deliver the Chrome Edition combine.

## ROTOR INLET SUMP (LOWER HALF MOON DOOR) *(not shown)*

High Velocity Oxygen Fuel (HVOF), a thermal spray coating process that extends equipment life by increasing wear resistance, is extended over the leading edge.

## HALF MOON ROTOR COVER DOOR *(not shown)*

The entire inside of the door is chrome coated to increase the durability wear characteristics.

## TAILINGS PROCESSOR *(not shown)*

Stronger components and additional welding and hardware decrease equipment stress while they increase durability. These improvements have significantly increased the durability and reliability.

## LIGHTING OPTIONS ■

- Multiple lighting packages to suit your needs
- Optional distance lighting package available
- New LED lighting package

## LUXURY CAB ■

Includes all features of deluxe cab plus:

- Additional storage compartments
- Leather-wrapped steering wheel
- Electric/heated mirrors
- Standard portable fridge

## CHROME EDITION DECAL ■

Easily identify the Chrome Edition combine, designed for rice harvest, by the unique decal on the cab door.

## CONCAVE H-FRAME ■

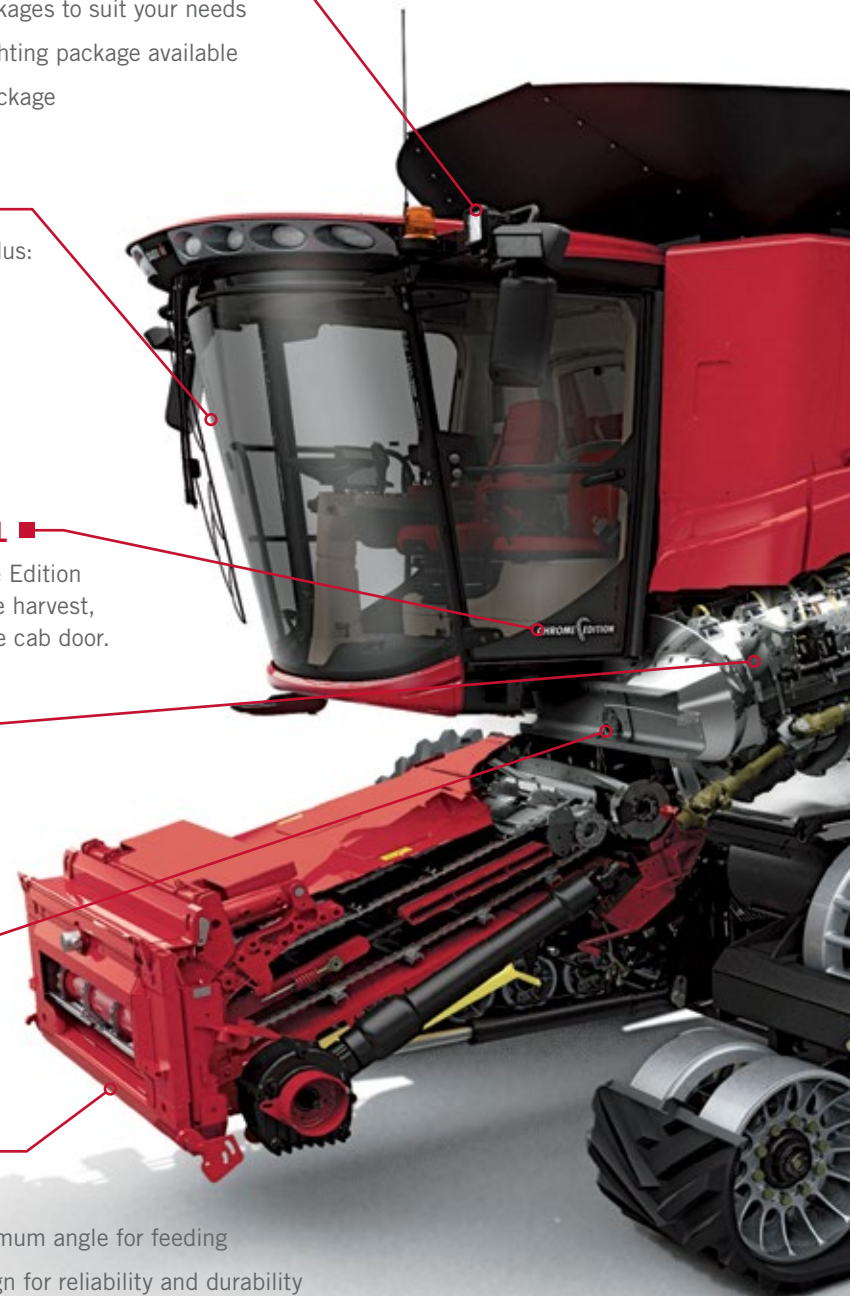
Front left-hand channel, an area prone to wear, is reinforced with HVOF coating.

## ROTOR BEARING SUPPORT PLATE ■

Chrome coating is added to protect the support plate.

## REDESIGNED FEEDER HOUSE ■

- 4-chain/3-strand feeder chain
- Adjust the cutterbar to the optimum angle for feeding
- Improved feeder top shaft design for reliability and durability
- Improved design to increase crop flow and reduce wear





### ■ 410-BU. GRAIN TANK

- Standard manual fold extensions
- Optional in-cab folding extensions and covers

### ■ BUBBLE-UP AUGER

New bubble-up auger contains extended-wear, hard-face coverage to the last 360-degree wrap of flighting for improved life in high wear conditions and abrasive crops.

### ■ UNLOADING AUGERS MATCHED TO HEAD CAPACITY, EXCLUSIVE PIVOTING SPOUT

- 8250: 4.0 bu./sec; 9250: 4.5 bu./sec
- Standard fixed spout, optional pivoting spout with grain saver door

### ■ PTO GEARBOX

- Provides simple efficient power for combine and hydraulic systems
- Direct drive from engine

### ■ CONTINUALLY VARIABLE TRANSMISSION DRIVES

- CVT rotor drive
- CVT feeder drive
- Patented feeder to ground speed control
- Exclusive in-cab de-slug feature

### ■ RESIDUE OPTIONS

40-blade internal chopper with new top bevel design for added durability with the dual disk spreader which provides a uniform spread pattern in wet/heavy straw conditions.

### ■ 10,075-SQ. IN. CLEANING SYSTEM

- One of the largest in the industry for Class VII through IX combines
- Self-leveling (up to 12%) cleaning system maximizes efficiency and grain savings
- Grain pan starts cleaning process and improves cleaning system efficiency

### ■ CHOPPER PAN

New durable AR200 material reduces wear to the chopper grate.

### CLEAN GRAIN ELEVATOR BOOT COVER PLATE *(not shown)*

The grain engaging side of the plate cover is coated with HVOF increasing durability in abrasive crops.

### FPT TIER 4 B/FINAL SCR-ONLY ENGINES *(not shown)*

- Responsive power and improved fuel economy for demanding harvest conditions
- Emissions treated in the exhaust



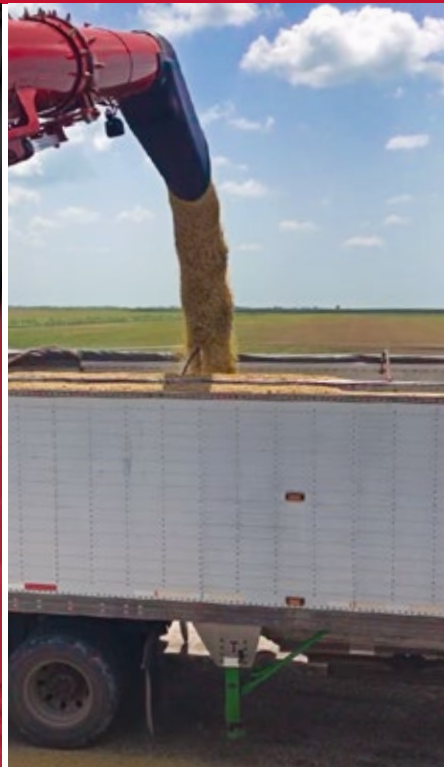
### AFX ROTOR

- Available in both small-tube (27") and large-tube (30") rice rotor configurations
- Creates smooth crop flow
- Improves throughput
- Puts more high quality grain in your tank
- 180 degrees of concave wrap
- 6 threshing and separating module options
- Adjustable cage vanes improve threshing and throughput



## TECHNOLOGY IN THE FIELD: **HARVEST.**

Monitor, map and evaluate your crop's performance to help maximize profit and yield. Compare yield and moisture data with prior yield maps to determine what factors or operations will maximize future yields. If you're not in the driver's seat during harvest, monitor real-time harvesting data remotely to help make recommendations for maximizing efficiencies.



### **AUTOGUIDANCE.**

- **AFS AccuGuide™ autoguidance** provides hands-free steering to achieve and maintain accurate row positioning in ever-changing harvest conditions and ease operator fatigue during long hours of operation. Case IH offers various guidance corrections from sub-meter to sub-inch tailored to your operation and farming practices.
- Updated in 2020, **AFS RowGuide™ guidance** provides accurate, hands-off steering during corn harvest to reduce operator fatigue. Also, the row-guidance row feeler sensor was redesigned to further increase on row sensing performance.
- **Auto-Cut Width** adjusts combine cut width when traveling through odd-shaped fields, point rows or previously harvested areas to provide accurate yield reading and postharvest yield maps to give you the tools to best plan for next year's crop management programs.

### **FIELD SOLUTIONS.**

- **Yield and Moisture Monitor:** Monitor and record harvesting data, helping make decisions to improve current yield and maximize future yield potential.
- **AFS Variety Tracking:** Analyze seed variety performance using data from planting in conjunction with yield and moisture data tracked at harvest — up to 30 different varieties per field.



## AFS CONNECT.

AFS Connect allows you to precisely manage your farm, fleet and data anywhere from a computer, phone or tablet.

- **Fleet Management:** Coordinate unloading, maintenance and refueling to make the most of tight harvesting windows. Efficiently plan your day by sharing guidance lines and field boundaries with multiple pieces of equipment.
- **Visualize Data:** Create and upload field boundaries with custom layers—from planting/seeding to harvesting. Aggregate data from multiple machines in one field and visualize actionable layers of agronomic data.
- **Custom Reports:** Build reports that show area worked, yield average, flow average, moisture average and more. Your agronomic data is all online and available to be used with the report builder tool to generate valuable activity reports for your landlords or other trusted partners.
- **Custom Alerts:** Receive notifications about yield moisture and other harvest data. Configure alerts straight to your mobile phone to notify you when the machine is operating outside of the parameters you set.
- **Data Sharing:** Seamlessly transfer harvesting data. Securely share information to farm managers, dealers or trusted partners as you choose.



250 SERIES SPECIFICATIONS	AXIAL-FLOW 8250 Class VIII	AXIAL-FLOW 9250 Class IX
<b>ENGINE</b>		
Type - Tier 4 B/Final		Case IH - FPT
Displacement	12.9 L (787 cu. in.)	16.0 L (970 cu. in.)
Horsepower (Rated/Maximum)	480 hp (358 kW)/555 hp (414 kW)	550 hp (410 kW)/625 hp (466 kW)
Power Rise		75 hp (56 kW)
Unload Boost - Power on Demand		75 hp (56 kW)
Fuel Tank/DEF Tank Capacity	297 gal. (1 124 L)/43 gal. (166 L)	317 gal. (1 200 L)/43 gal. (166 L)
<b>FEEDER</b>		
Feeder Width		54 in. (1 372 mm)
Feeder Length w/o Rock Trap		94 in. (2 388 mm)
Feeder Drive Type		CVT drive
Reverser System		CVT hydraulic
Head Lift Cylinders		2.95 in. (75 mm)/3.5 in. (90 mm)/3.7 in. (95 mm)
Lateral Tilt Range (Optional)		+/- 5 degrees
Fore/Aft Faceplate Tilt (Optional)		12 degrees
Stone Trap (Optional)		Spiral Beater/Sump
<b>THRESHING/SEPARATING</b>		
Threshing Type		Rotary
Rotor Drive Type/Rotor Diameter		CVT Drive/30 in. (762 mm)
Rotor Speeds		220 – 1180 rpm
Number of Concave/Modules		2 pair
Threshing/Separating Area Wrap		180°/180°
Separating Grates/Modules		2 pair
Discharge Beater Standard/Optional		Integral chopper/beater and chopper options available
Auger Bed		No
Active Grain Pan		Yes
Grain Loss Monitor		Standard equipment
Cage Vanes Standard/Optional		Manual adjust with turn buckle / In-cab adjustable
<b>CLEANING SYSTEM</b>		
Cleaning System Width		62 in. (1 575 mm)
Total Sieve Area		10,075 sq. in. (6.9 m <sup>2</sup> )
Fixed or Self-leveling Cleaning System		Self-leveling
Cleaning Capability % Slope (Degrees)		12.1% (7.0°)
Sieve Louver Adjustment (In-cab/Manual)		Standard/N/A
Cleaning Fan Type/Drive		Cross-Flow fan /hydraulic
Fan Speed Range		300 – 1150 rpm
Fan Diameter		15.4 in. (391 mm)
<b>CONVEYING AND STORAGE</b>		
Tailings Elevator		Tri sweep crop processor
Clean Grain Elevator (Dimensions/Capacity)		11.9 x 10.4 in. (302 x 264 mm)/6,500 bu/hr.
Grain Tank Capacity (Standard/Optional)		410 bu. (14 448 L)
Unloading Auger Length		28 ft. 9 in. (8.8 m)
Unloading Rate		4.5 bu. (159 L) per second
<b>DIMENSIONS</b>		
Wheel Base - 2WD Axle / Pra Optional		147.7 in. (3 752 mm)/148.5 in. (3 772 mm) - PGA
Width (Overall Single Tires 120-in. Tread)		156 in. (3 962 mm)
Minimum Weight (2WD and Single Drive Tires)	42,845 lb. (19 434 kg)	43,790 lb. (19 863 kg)
Typical Weight (2WD and Dual Drive Tires)	46,979 lb. (21 309 kg)	47,924 lb. (21 738 kg)
Cab Height		153.7 in. (3 904 mm)
<b>TECHNOLOGY</b>		
AFS Connect Advanced With 2 Way File Transfer Combine Automation (Standard/Optional)		No automation / AFS Harvest Command

SAFETY NEVER HURTS!<sup>™</sup> Always read the Operator's Manual before operating any equipment. Inspect equipment before using it, and be sure it is operating properly. Follow the product safety signs, and use any safety features provided. CNH Industrial America LLC reserves the right to make improvements in design and changes in specifications at any time without notice and without incurring any obligation to install them on units previously sold. Specifications, descriptions and illustrative material herein are as accurate as known at time of publication, but are subject to change without notice. Availability of some models and equipment builds varies according to the country in which the equipment is used.

©2020 CNH Industrial America LLC. All rights reserved. Case IH is a trademark registered in the United States and many other countries, owned by or licensed to CNH Industrial N.V., its subsidiaries or affiliates. Any trademarks referred to herein, in association with goods and/or services of companies other than CNH Industrial America LLC, are the property of those respective companies. Printed in U.S.A. www.caseih.com CIH20050401

